

# Safety Covers of America

4255 West Lake Street

Chicago, IL 60624

www.safetycoversamerica.com

1- 888-726-8377 Fax 1-877-344-8383

## MEASURING FORM

DEALER NAME: \_\_\_\_\_  
ADDRESS: \_\_\_\_\_  
CITY: \_\_\_\_\_ STATE: \_\_\_\_\_ ZIP: \_\_\_\_\_

PHONE # \_\_\_\_\_  
FAX# \_\_\_\_\_  
JOB: \_\_\_\_\_

CUSTOMER NAME: \_\_\_\_\_  
ADDRESS: \_\_\_\_\_  
CITY: \_\_\_\_\_ STATE: \_\_\_\_\_ ZIP: \_\_\_\_\_

PHONE # \_\_\_\_\_  
FAX# \_\_\_\_\_  
JOB: \_\_\_\_\_

### PLEASE SUBMIT AS:

QUOTE ONLY:

ORDER:

PURCHASE ORDER # \_\_\_\_\_

### MESH COVERS

#### REGULAR MESH

COLOR: GREEN/BLACK   
BLUE/BLACK   
BLACK/BLACK

#### COMMERCIAL MESH

BLACK/BLACK ONLY

### SOLID COVERS

#### COLORS:

BLUE   
GREEN

#### COVER STYLE:

WITH CENTER DRAIN   
NO DRAIN WITH AUTOMATIC PUMP

### ADDITIONAL HARDWARE NEEDED

TENT STAKES \_\_\_\_\_ qty. LAWN TUBE W/BRASS ANCHOR \_\_\_\_\_ qty.  
WOOD DECK ANCHORS \_\_\_\_\_ qty. BRASS DISK FOR EITHER CONCRETE OR WOOD DECK ANCHORS \_\_\_\_\_ qty.

### ANSWER ALL QUESTIONS IF OBSTRUCTIONS ARE **NOT REMOVABLE** AND ARE WITHIN THREE FEET OF WATERLINE

**LADDERS:** How far do rails extend into pool? \_\_\_\_\_ inches  
What is the difference from waters edge to placement on deck? \_\_\_\_\_ inches  
What is the distance between rails? \_\_\_\_\_ inches  
**HANDRAIL:** How far does handrail extend into pool? \_\_\_\_\_ inches  
What is the distance from waters edge to placement in deck? \_\_\_\_\_ inches  
**GRAB RAILS:** Distance from waters edge to placement in deck? \_\_\_\_\_ inches  
**FILL SPOUT:** Distance from waters edge to placement in deck? \_\_\_\_\_ inches  
**SLIDE LEGS:** Distance from waters edge to placement of each leg? \_\_\_\_\_ inches  
**DIVING BOARD STAND:** Distance from waters edge to diving stand? \_\_\_\_\_ inches  
Is diving board Y-strap required? Yes \_\_\_\_\_ No \_\_\_\_\_

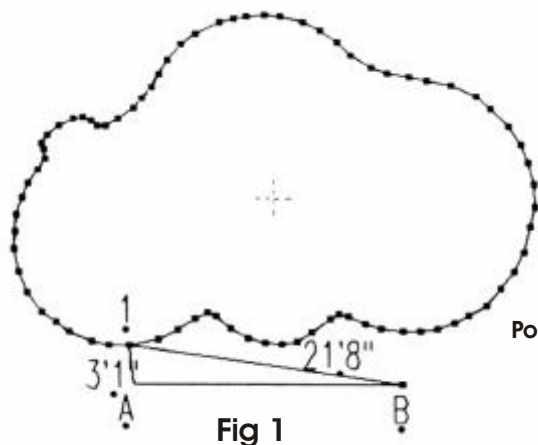
**FOR ALL OTHER OBSTRUCTIONS THAT ARE NOT REMOVABLE (RAISED SPAS, WALLS, PLANTERS, ETC.) DRAWINGS AND A-B DIMENSIONS MUST BE SUPPLIED. PHOTOS ARE RECOMMENDED.**

Please fax form to 1-877-344-8383 or e-mail to customerservice@scofers.com

# MEASURING INSTRUCTIONS

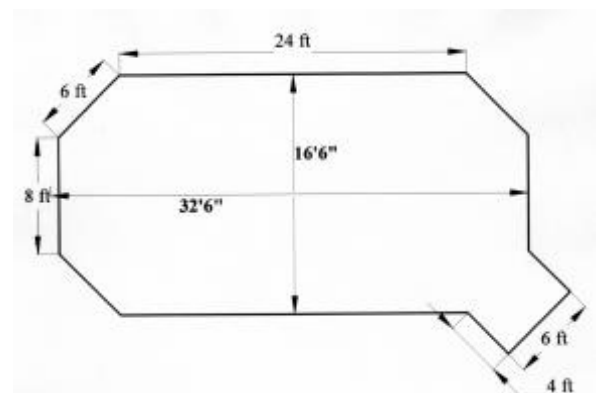
- Draw a freehand sketch of inside dimensions of pool, including all obstruction that are within three feet of waters edge. (A photo is recommended when rocks, waterfalls, raised walls or other objects that are not removable are present)
- Using chalk make a mark and number points at edge of the coping, three feet apart around perimeter of pool. Include all non-removable objects within 3 feet of pool.
- Establish two points A and B, roughly three to four feet from water line of pool at least half the length of the pool distance (usually 20ft - 25ft in length). A must be on your left when facing the pool and B on the right as in fig 1. **A - B LINE MUST NOT CROSS WATERS EDGE.**
- Now measure the distance between point A and point 1 then A to point 2 and so on till you have gone all the way around pool.
- Now measure the widest point of the pool and mark that and the point numbers on the sheet.
- Now measure the longest point of the pool and mark that and the point numbers on the sheet.

**For A - B Pools**, it is important not to cross the water as illustrated below. It is also important that the drawing shows the position of the A - B line.



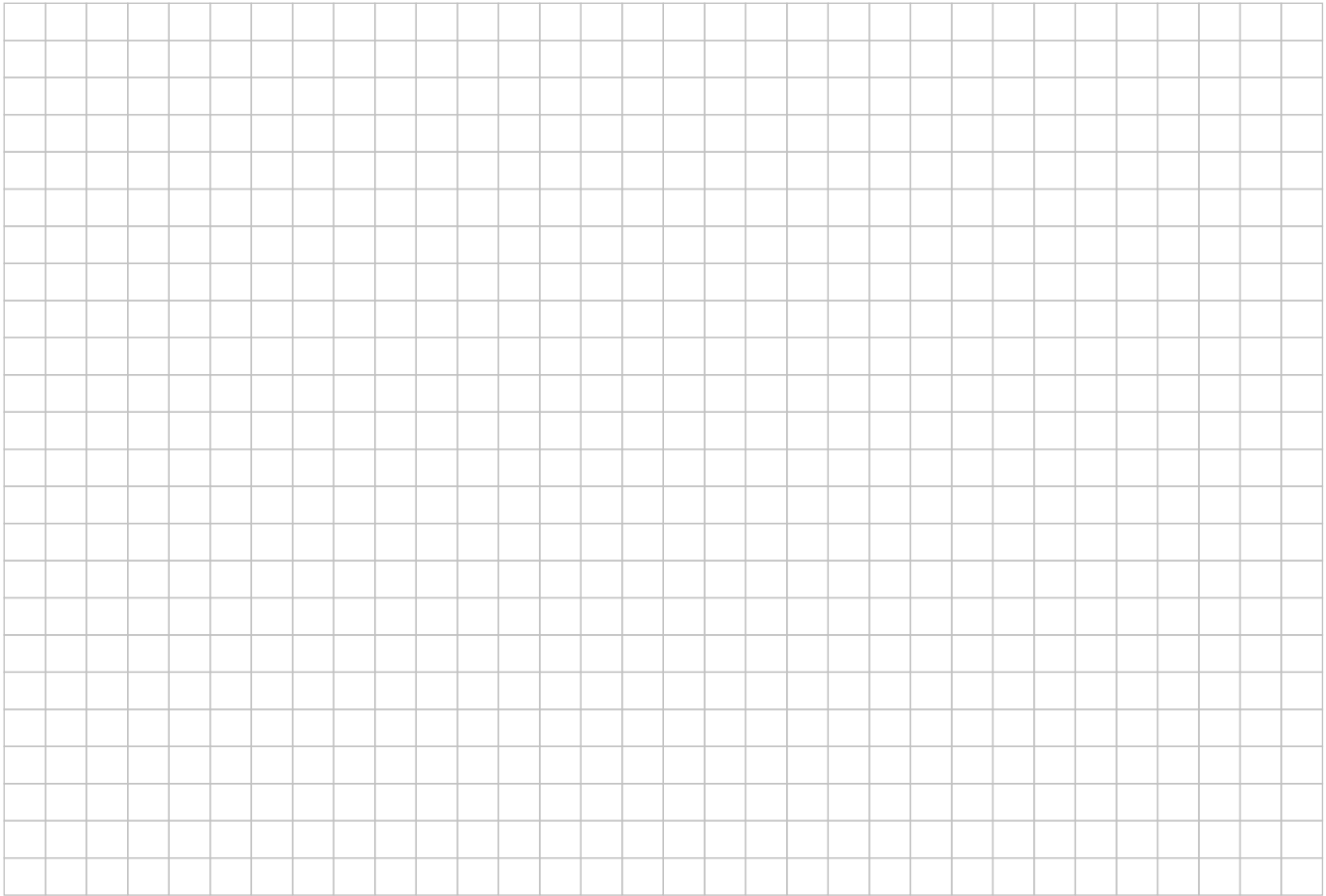
| Point# | A    | B     |
|--------|------|-------|
| 1      | 3'1" | 21'8" |
| 2      |      |       |

**Important**, Pools that are grecian, dogleg, ell, or straight wall it is not necessary to take A - B's. Sketch pool and provide all exterior wall measurements (check that the length and width add up).



Establish two points, A and B, a *minimum* of three feet from the pool, line *must not* cross water, and must be at least half the length of the pool in distance.

Mark distance between A & B \_\_\_\_\_



Sketch pool and show location of point A & B to pool and show any areas with less than four feet of deck to waters edge.

|    | A | B |
|----|---|---|
| 1  |   |   |
| 2  |   |   |
| 3  |   |   |
| 4  |   |   |
| 5  |   |   |
| 6  |   |   |
| 7  |   |   |
| 8  |   |   |
| 9  |   |   |
| 10 |   |   |
| 11 |   |   |
| 12 |   |   |
| 13 |   |   |
| 14 |   |   |
| 15 |   |   |
| 16 |   |   |
| 17 |   |   |
| 18 |   |   |
| 19 |   |   |
| 20 |   |   |

|    | A | B |
|----|---|---|
| 21 |   |   |
| 22 |   |   |
| 23 |   |   |
| 24 |   |   |
| 25 |   |   |
| 26 |   |   |
| 27 |   |   |
| 28 |   |   |
| 29 |   |   |
| 30 |   |   |
| 31 |   |   |
| 32 |   |   |
| 33 |   |   |
| 34 |   |   |
| 35 |   |   |
| 36 |   |   |
| 37 |   |   |
| 38 |   |   |
| 39 |   |   |
| 40 |   |   |

|    | A | B |
|----|---|---|
| 41 |   |   |
| 42 |   |   |
| 43 |   |   |
| 44 |   |   |
| 45 |   |   |
| 46 |   |   |
| 47 |   |   |
| 48 |   |   |
| 49 |   |   |
| 50 |   |   |
| 51 |   |   |
| 52 |   |   |
| 53 |   |   |
| 54 |   |   |
| 55 |   |   |
| 56 |   |   |
| 57 |   |   |
| 58 |   |   |
| 59 |   |   |
| 60 |   |   |

TYPE OF POOL  
 GUNITE \_\_\_\_\_  
 VINYL \_\_\_\_\_  
 OTHER \_\_\_\_\_

OVERALL LENGTH  
 PT # \_\_\_\_\_ TO  
 PT# \_\_\_\_\_ IS  
 \_\_\_\_\_

OVER ALL WIDTH  
 PT # \_\_\_\_\_ TO  
 PT# \_\_\_\_\_ IS  
 \_\_\_\_\_